

SC

Mast climbing work platform

Heavy Duty Chassis & Mast Section

bauma
2019

NEW

Scanclimber® by Tractel® has launched ground breaking additions to the rack and pinion driven Mast Climbing Work Platforms in Bauma 2019. Our latest heavy duty Chassis with new mast sections and innovative anchoring technology offers you to cut down installation and dismantling costs by over 50% without any compromise on the lifting capacity.

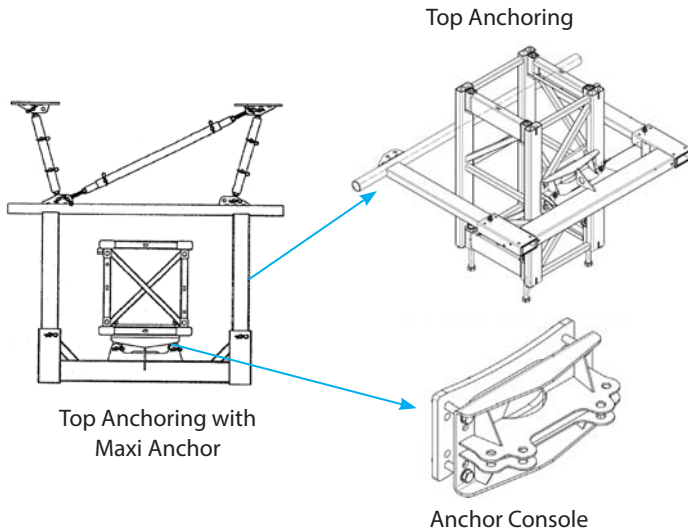
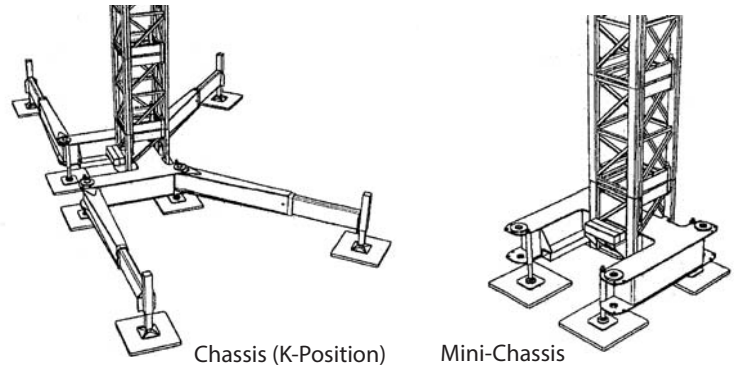


SCANCLIMBER®
by Tractel®

MCWP Heavy Duty Chassis & Mast Section

Heavy Duty (HD) Chassis

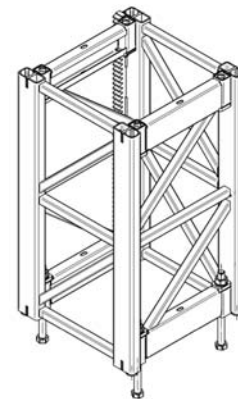
The new heavy duty Chassis with new HD mast allows you to use our Mast Climbing Work Platforms up to 30 meters height freestanding. Not only that but using the Chassis with outriggers, the mast climber can be used up to 55 meters height with only attaching the top anchor with mast. When it comes to compatibility, the HD chassis can be used with our whole range of Mast Climbing Work Platforms i.e. SC5000, SC6000, SC8000 and SC10000.



Anchors

The new anchoring technology includes an anchoring console and innovative top anchors which allows more flexibility in installation. The anchoring console enables the anchors (wall as well as top anchor) to be adjusted and fixed to the mast at any position without the need of any additional components.

M70 HD Mast Section



HD Mast Sections

Along with heavy duty Chassis, Scanclimber® by Tractel® has a new M70 mast section for MCWPs which can withstand more payload. The new mast sections are essentially heavier but with same dimensions as our standard mast sections and with the use of an adapter, it is fully compatible and usable with our standard mast sections.

Compatibility

Scanclimber® by Tractel® considered all aspects during development of HD Chassis with New Mast and Anchoring from installation to customer inventory. We made sure that all these product components are fully compatible with any of our mast climbing work platform models and components already in use at the construction sites.

Technical Data

Free Standing Height with Heavy Duty Chassis	30 m
Top Anchor height with Outriggers	55 m
Top Anchor height without Outriggers	46 m
Max. Anchoring Distance	30 m
Max. Overhang (Height after top anchor)	20 m
Mast Section Weight	145 kg
Dimensions of HD Mast Section	0.70 m x 0.70 m x 1.25 m

Scanclimber is the world's technology leader in mast climbing equipment for both temporary and permanent installations. The company has its corporate head office in Pirkkala, Finland, and manufacturing in Gniezno, Poland.

The company employs more than 200 people in Europe and Asia.

Scanclimber creates value for its customers with high quality, reliable and flexible vertical access solutions.

SCANCLIMBER®
by Tractel®

Scanclimber Oy, Turkkirata 26, FI-33960 Pirkkala | www.scanclimber.com
Tel. +358 10 680 7000, Fax +358 10 680 7033

Authorised partner
DEJONG HOISTS (Australia)
Phone + 61 8 9241 6000
Fax + 61 8 9248 3244
Email info@dejonghoists.com.au
www.dejonghoists.com.au

